

WPGR Glass Refractor LED Wall Pack

The Glass Refractor LED Wall Pack delivers 120lm/W at 3000K/4000K/5000K. This refractor LED Wall Pack accepts 100-277VAC/347-480VAC, available in photocell and motion sensor options. This refractor LED Wall Pack is a perfect replacement for traditional outdoor wall packs.

MOUNTING AND WIRING

Mount directly over a standard outlet box or for surface wiring via any of the 3 convenient 3/4 inch threaded conduit entry hubs.

ENVIRONMENTAL SYSTEM

ETL/cETL Listed for outdoor locations.

ELECTRICAL SYSTEM

Integral high performance LED driver.

Universal input voltage 100-277VAC or 347-480VAC, 50/60Hz.

OPTICAL SYSTEM

High quality shatterproof glass refractor to project light to a wide space.

High performance LM80 LEDs mounted on metal core board and integral aluminum heat sink.

Color Temperature: 5000K. Other color temperature available for special order, consult factory for lead time.

DLC Listed as Outdoor Non-Cutoff and Semi-Cutoff Wall-Mounted Area Luminaries.

LIGHTING CONTROL

0-10V dimmable/photocell/motion sensor options.



Specifications:

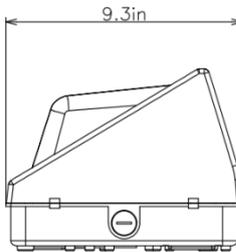
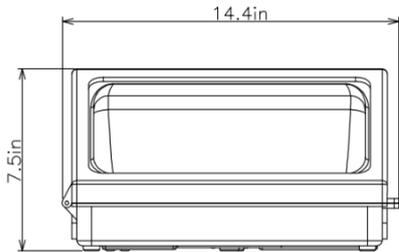
ITEM	SPECIFICATION	KLWPGR040	KLWPGR060	KLWPGR090	KLWPGR120
GENERAL PERFORMANCE	Wattage(W)	40W	57W	89W	120W
	Lumens Delivered (lms)	4800lms	7200lms	10400lms	15200lms
	Efficacy (lm/W)	120lm/W	127lm/W	117lm/W	127lm/W
	CRI	>70	>70	>70	>70
	Color Temperature	3000K/4000K/5000K	3000K/4000K/5000K	3000K/4000K/5000K	3000K/4000K/5000K
	L70	More than 50,000 hours	More than 50,000 hours	More than 50,000 hours	More than 50,000 hours
	Power Factor	0.98 at 100VAC	0.98 at 100VAC	0.98 at 100VAC	0.98 at 100VAC
ELECTRICAL	Input Voltage	0.90 at 277VAC	0.90 at 277VAC	0.90 at 277VAC	0.90 at 277VAC
		100-277VAC	100-277VAC	100-277VAC	100-277VAC
PHYSICAL	Housing	Die-cast aluminum body(Bronze/Black)	Die-cast aluminum body(Bronze/Black)	Die-cast aluminum body(Bronze/Black)	Die-cast aluminum body(Bronze/Black)
	Installation	Glass diffuser	Glass diffuser	Glass diffuser	Glass diffuser
		Recessed outlet box or wall surface	Recessed outlet box or wall surface	Recessed outlet box or wall surface	Recessed outlet box or wall surface
		Operating Temperature	-30°C up to 50°C (-22°F up to 122°F)	-30°C up to 50°C (-22°F up to 122°F)	-30°C up to 50°C (-22°F up to 122°F)
CERTIFICATION	Environment	Damp/Wet locations	Damp/Wet locations	Damp/Wet locations	Damp/Wet locations
	Warranty	5 years	5 years	5 years	5 years
	Certification	ETL/cETL, DLC	ETL/cETL, DLC	ETL/cETL, DLC	ETL/cETL, DLC

ITEM	SPECIFICATION	KLHVWPGR040	KLHVWPGR060	KLHVWPGR090	KLHVWPGR120
GENERAL PERFORMANCE	Wattage(W)	42W	64W	89W	121W
	Lumens Delivered (lms)	5200lms	7900lms	10600lms	15400lms
	Efficacy (lm/W)	124lm/W	123lm/W	120lm/W	127lm/W
	CRI	>70	>70	>70	>70
	Color Temperature	3000K/4000K/5000K	3000K/4000K/5000K	3000K/4000K/5000K	3000K/4000K/5000K
ELECTRICAL	L70	More than 50,000 hours	More than 50,000 hours	More than 50,000 hours	More than 50,000 hours
	Power Factor	>0.9	>0.9	>0.9	>0.9
	Input Voltage	347-480VAC	200-480VAC	200-480VAC	200-480VAC
	Housing	Die-cast aluminum	Die-cast aluminum	Die-cast aluminum	Die-cast aluminum
PHYSICAL		body(Bronze/Black)	body(Bronze/Black)	body(Bronze/Black)	body(Bronze/Black)
		Glass diffuser	Glass diffuser	Glass diffuser	Glass diffuser
	Installation	Recessed outlet box or wall surface	Recessed outlet box or wall surface	Recessed outlet box or wall surface	Recessed outlet box or wall surface
CERTIFICATION	Operating temperature	-30°C up to 50°C (-22°F up to 122°F)	-30°C up to 50°C (-22°F up to 122°F)	-30°C up to 50°C (-22°F up to 122°F)	-30°C up to 50°C (-22°F up to 122°F)
	Environment	Damp/Wet locations	Damp/Wet locations	Damp/Wet locations	Damp/Wet locations
	Warranty	5 years	5 years	5 years	5 years
	Certification	ETL/cETL, DLC	ETL/cETL, DLC	ETL/cETL	ETL/cETL, DLC

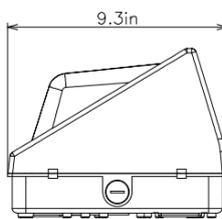
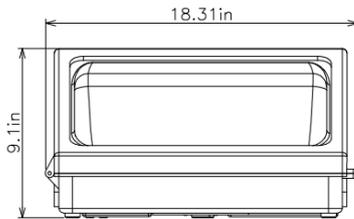
Order Information:

Family	Wattage	Separator	CCT	Version	Label	Default
KLWPGR: Glass Refractor LED Wallpack(100-277VAC)	040: 40W 060: 60W	-	30K: 3000K 40K: 4000K	S: Standard P: Platinum	0: Kili-LED Label 1: Customized Label	X
KLHVWPGR: Glass Refractor LED Wallpack(347-480VAC)	090: 90W 120: 120W	-	50K: 5000K			

Dimension: (mm/in)



KLWPGR040/KLWPGR060/KLHVWPGR040/KLHVWPGR060



KLWPGR090/KLWPGR120/KLHVWPGR090/KLHVWPGR120

KLWPGR040/KLHVWPGR040:

G/W: 17.20kgs (37.92lbs) /4pcs

Carton Dimension: 55cm*41cm*49cm /4pcs

KLWPGR060/KLHVWPGR060:

G/W: 18.60kgs (41.00lbs) /4pcs

Carton Dimension: 55cm*41cm*49cm /4pcs

KLWPGR090/KLHVWPGR090:

G/W: 15.00kgs (33.10lbs) /2pcs

Carton Dimension: 59cm*51cm*32cm /2pcs

KLWPGR120/KLHVWPGR120:

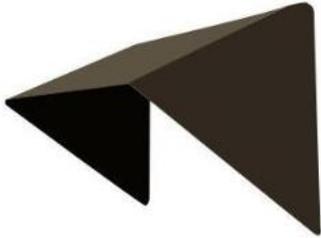
G/W: 15.60kgs (34.40lbs) /2pcs

Carton Dimension: 59cm*51cm*32cm /2pcs

Options:

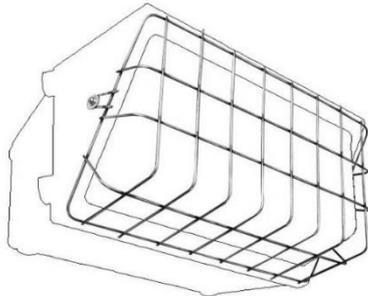
Reflector cover

(WPGR-RCA: for 40w/60w fixture,
WPGR-RCB: for 90W/120W fixture.)



Shield

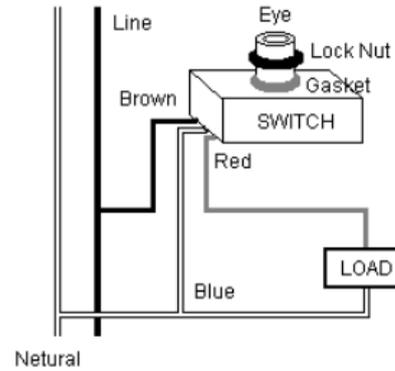
(WPGR-SCA: for 40w/60w fixture,
WPGR-SCB: for 90W/120W fixture.)



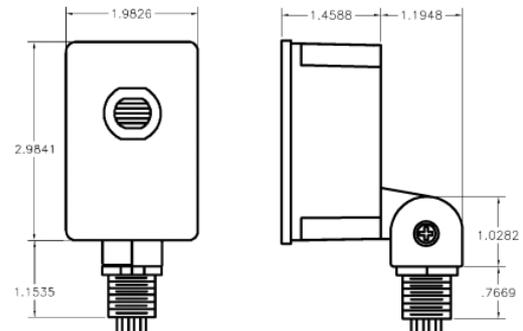
Photocell

(JL-403C: 100-277VAC, SPT-347: 347VAC, SPT-19: 480VAC.)

JL-403C:

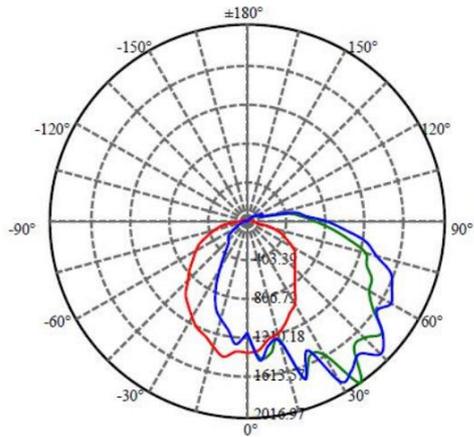


SPT-347, SPT-19:

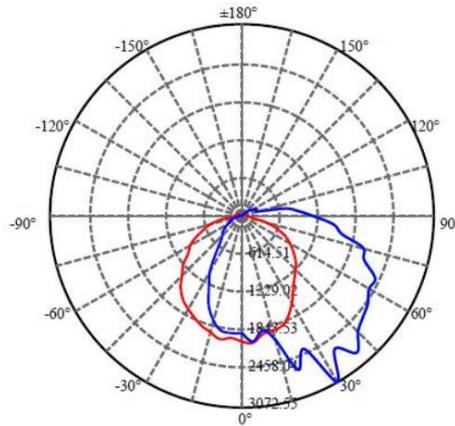


Photometric:

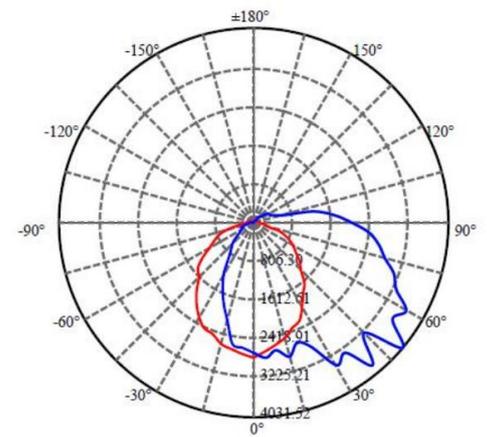
Luminous Intensity Distribution Diagram (Unit: CD)



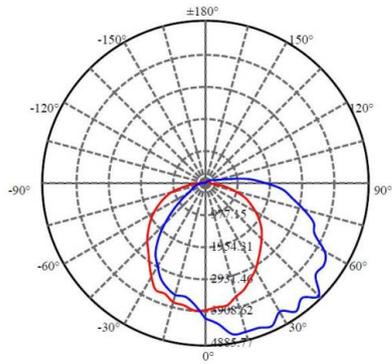
KLWPGR040/KLHVWPGR040



KLWPGR060/KLHVWPGR060



KLWPGR090/KLHVWPGR090



KLWPGR120/KLHVWPGR120